



FlowPac C

Technology For Flow
Modular Continuous Flow Sensor



Do you need to control the liquid flow in a circuit? Does your system have to adjust the pump or cooling loop based on various conditions? FlowPac C delivers a pulse output based on the current flow rate. A very precise solution - including a pull-up resistor that makes your reading easy. Take a look at the modular design - this is a tailored solution for your application.

- ✓ High flexibility in process connections
- ✓ Customization
- ✓ Pull-up resistor built-in
- ✓ OEM inventory available
- ✓ Made in EU



„...Designed to control your circuit...”



SPECIFIC

Designed for you



MEASURABLE

Impacts your business



ACHIEVABLE

From idea to success



RELEVANT

Serves your application



TIME-BOUND

Built on time

IDEATION

DESIGNING

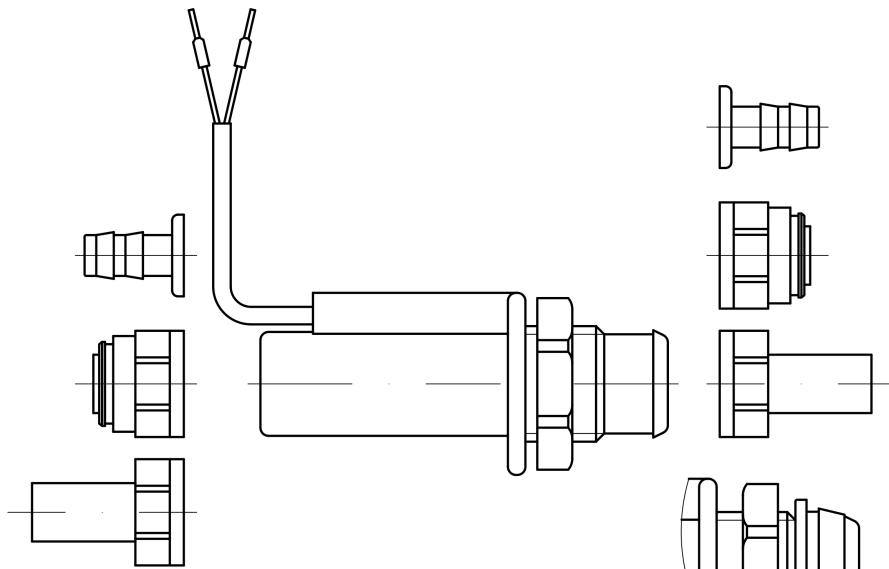
PROTOTYPING

TESTING

MANUFACTURING



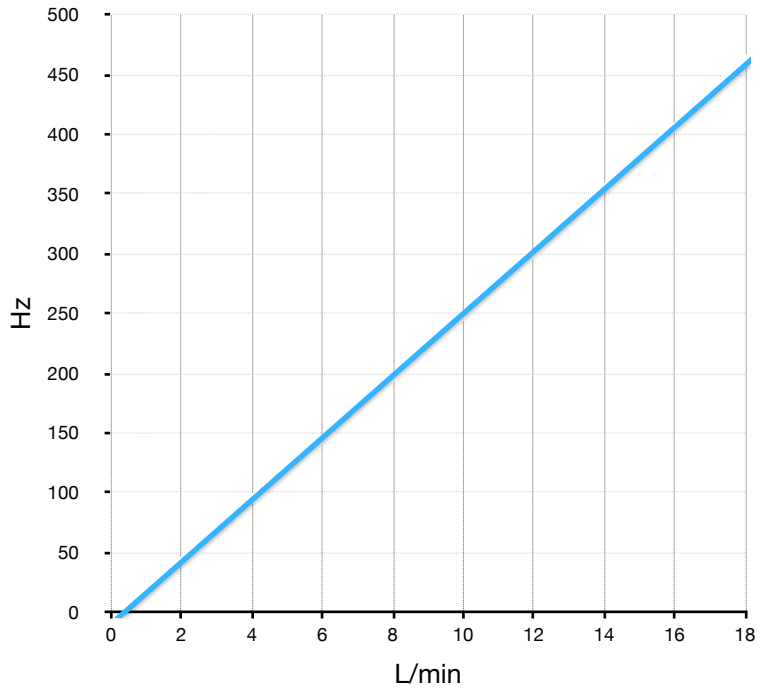
OEMSYS Sp. z o.o.
Fabryczna 1
34-600 Limanowa
Poland



Technical specification	
Operating temperature	0..80°C
Max pressure	1 bar
Housing material	PP
Rotor material	Nylon
Accuracy	±5%
Supply voltage	3..24VDC
Overvoltage protection	40V
Revers voltage protection	-18V
Pull-up resistor	Table
Recommended filtration	200µ
Flow starting point	0,5 L/min
Max flow rate	15** L/min
Approvals	RoHS CE Pending

** depends on pump, fittings, fluid density, etc.

Frequency vs flow rate



IDEA

DESIGN

PROTOTYPING






TESTING

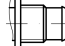




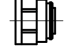
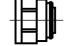

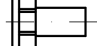
MANUFACTURING



OEMSYS Sp. z o.o.
Fabryczna 1
34-600 Limanowa
Poland

DTS/0029 Rev.2

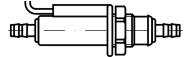
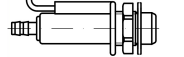
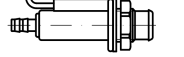

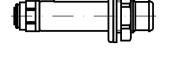
Specification of inlet fittings		
I5		PP Barbed (9mm)
I6		PushFit (6mm)
I7		PushFit (8mm)
I8		PushFit (10mm)
I9		JG Stem (10mm)

Specification of outlet fittings		
OT1		Direct tank (no seal/nut)
OT2		Direct tank (no seal, assembly nut included)
OT3		Direct tank external sealed
OT4		Direct tank flat sealed with nut
O5		PP Barbed (9mm)
O6		PushFit (6mm)
O7		PushFit (8mm)
O8		PushFit (10mm)
O9		JG Stem (10mm)

FlowPac C - **Pull-up resistor** - **Inlet port** - **Outlet port** - **Cable length**

Acc. to table 10 -10kOhm N -No resistor S _-Special	I5 -PP Barbed (9 mm) I6 -Push-Fit (6mm) I7 -Push-Fit (8mm) I8 -Push-Fit (10mm) I9 -JG Stem (10mm) S _-Special	OT1 -Direct tank (no seal/nut) OT2 -Direct tank (no seal, assembly nut incl.) OT3 -Direct tank external sealed OT4 -Direct tank flat sealed with nut O5 -PP Barbed 9 [mm] O6 -Push-Fit (6mm) O7 -Push-Fit (8mm) O8 -Push-Fit (10mm) O9 -JG Stem (10mm) S _-Special	03 -0,3[m] 05 -0,5[m] 10 -1,0[m] 15 -1,5[m] __-x[m]*10
--	--	---	--

Consult factory for more options. **S-Special**: Please provide more details.

Standard part numbers		
15300-10-I5-O5-05		Barbed inlet, barbed outlet 10k Pull-up resistor, 0,5m cable
15301-10-I5-OT2-05		Barbed inlet, direct tank external sealed outlet 10k Pull-up resistor, 0,5m cable
15302-10-I5-OT4-05		Barbed inlet, direct tank flat sealed outlet with nut 10k Pull-up resistor, 0,5m cable
15303-10-I7-O7-05		PushFit 8mm inlet, PushFit 8mm outlet 10k Pull-up resistor, 0,5m cable
15304-10-I7-OT4-05		PushFit 8mm inlet, direct tank flat sealed outlet with nut 10k Pull-up resistor, 0,5m cable